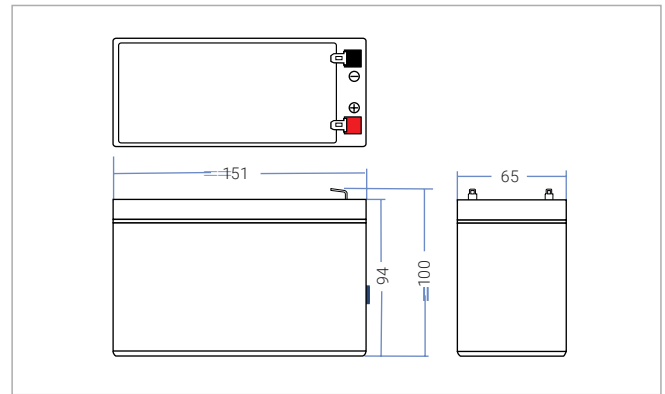


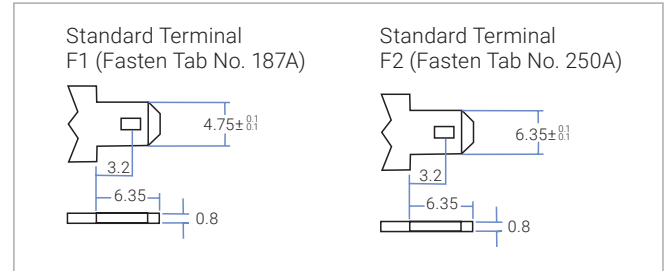
## AGM06 12V/9.0Ah



### Dimensions (mm)



### Terminal Type



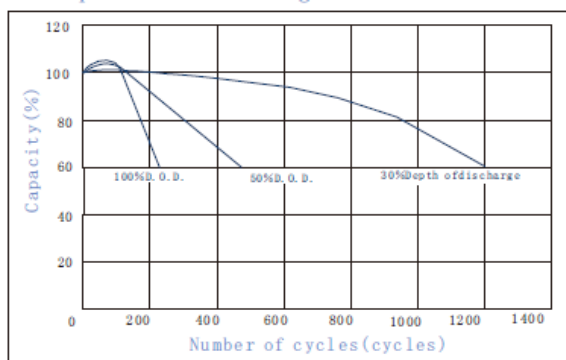
### Electrical Specification

Capacity 25°C (77° F)	20hour rate (0.45A)	9.0Ah
	27min rate (9.0A)	4.05Ah
	7min rate (27A)	3.15Ah
Capacity Affected by Temperature (20hour rate)	40°C (104° F)	102%
	25°C (77° F)	100%
	0°C (32° F)	85%
	-15°C (5° F)	65%
Internal Resistance	full charged battery 77° F (25°C)	35mΩ
Self-Discharge at 25°C (77° F)	Capacity after 3month storage	91%
	Capacity after 6month storage	82%
	Capacity after 12 month storage	64%
Charge (constant Voltage)	Cycle	Initial Charging Current less than 2.7A Voltage 14.40-14.90V
	Float	Voltage 13.50-13.80V

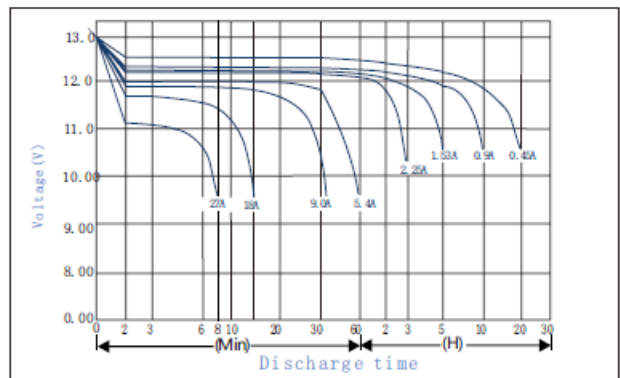
### Physical specification

Nominal Voltage	12V	
Nominal Capacity (20HR)	9.0AH	
Dimensions	Length	151±1mm (5.95 inches)
	Width	65±1mm (2.56 inches)
	Container Height	94±2mm (3.70 inches)
	Total height	100±2mm (3.94 inches)
Weight	Approx 2.3kg (5.06 lbs)	
Standard Terminal	F1/F2	

### Cycle service life in relation to depth of discharge



### Discharge Characteristics after fully charged (25°C, 77°F)



### Constant Current (Amp) and Constant Power (watt) Discharge Table at 25°C, (77°F)

time	5min	10min	15min	30min	1h	2h	3h	4h	5h	10h	20h	
9.60V	A	34.74	21.98	17.40	9.64	5.94	3.25	2.35	1.88	1.59	0.86	0.46
	W	387.84	247.56	197.70	110.50	68.69	37.83	27.54	22.20	18.93	10.21	5.55
9.90V	A	33.66	21.30	16.95	9.40	5.81	3.21	2.31	1.85	1.58	0.85	0.46
	W	375.91	240.04	192.65	107.75	67.15	37.43	27.13	21.89	18.72	10.18	5.53
10.20V	A	32.13	20.36	16.32	9.15	5.67	3.18	2.28	1.83	1.56	0.85	0.46
	W	358.96	229.48	185.56	105.00	65.61	37.02	26.71	21.58	18.52	10.15	5.51
10.50V	A	30.60	19.41	15.69	8.91	5.54	3.12	2.26	1.81	1.54	0.85	0.45
	W	341.99	218.90	178.46	102.25	64.07	36.40	26.51	21.38	18.31	10.12	5.38
10.80V	A	28.93	18.27	14.79	8.58	5.37	3.05	2.20	1.76	1.49	0.82	0.44
	W	323.39	206.09	168.28	98.46	62.22	35.57	25.78	20.85	17.67	9.82	5.27